

7FA.03 New Rotor

EthosEnergy

Rotor Features

New, never operated rotor with known pedigree and recommended remaining life of up to 144,000 FFH.

Expected Rotor Life: 144,000 FFH

Warranty: EcoLiFe™

Risk: EthosEnergy owned

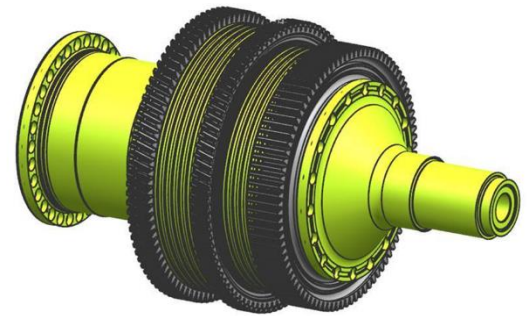
Rotor Scope

- New, OEM manufactured rotor removed from 7FA.03 (PG7241) Unit Serial Number 298390 & 238391
- Unit rotor consisting of both compressor and turbine section. Rotor OEM part number 119E2498G092
- Rotors never operated, un-fired and in new condition
- Rotor inspected and fully balanced in accordance with prudent industry standards
- Rotor shipping condition: Shrink-wrapped and secured to shipping skid
- Rotor can be stored at EthosEnergy climate-controlled facility, upon request until delivery date
- Rotor available for immediate sale as an Exchange Program or Fleet Program



Technical Overview - Compressor Rotor Assembly

- Compressor Rotor suitable for 144,000 factored fired hour operation
- Unit rotor consisting of complete Compressor Rotor Assembly corresponding to part number – 119E2505G042, CPRSR RTR ASSY-7FA+E/S/RB
- Compressor Rotor Assembly is fully bladed including stages R0 through R17 blades
- Compressor rotor configuration – flared design and can be installed in a flared compressor 7FA.03 unit
- Compressor stage R0 blades – original design
- Compressor blades stages 12 through 17 – Round Bottom Design
- Compressor wheels stages 12 through 17 – round bottom design and can accept round bottom blades
- Compressor rotor not impacted by flat bottom disc cracking issue. See OEM TIL 1971/1972 for details
- Compressor rotor configuration – robust backend style wheels (stages 14-17) with **conical** flow path



Turbine Rotor Assembly - New

Technical Overview - Turbine Rotor Assembly

- Turbine Rotor suitable for 144,000 factored fired hour operation
- Unit Rotor consisting of Turbine Rotor Assembly corresponding to part number – 116E2563G052, TURB RTR ASSY-7FA+E
- Turbine rotor configuration – Gen 4
- Turbine Rotor is fully assembled and without stages 1 through 3 buckets
- EthosEnergy can quote stages 1-3 buckets as an option or customer provided buckets can be installed on the rotor prior to delivery
- Bucket installation hardware can be quoted upon request